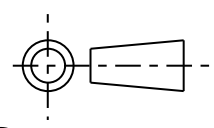


ISS.	DATE	E.C.N.	DESCRIPTION
2	4-Oct-07	X	← CHANGE TO DOME PIPS

© 2006 CARCLO
ALL DIMENSIONS IN mm



CUSTOMER DRAWING



CARCLO TECHNICAL PLASTICS (SLOUGH) LTD.
111 BUCKINGHAM AVE, SLOUGH
SL1 4PF, ENGLAND
TEL: +44 1753 575011 FAX: +44 1753 811359
e-mail: design@ctpcoil.co.uk}

GENERAL TOLERANCES (UNLESS STATED)

LINEAR	ANGULAR
X +/- 0.25	X +/- 1°
X.X +/- 0.1	X.X +/- 0.5°
X.XX +/- 0.05	X.XX +/- 0.1°

CUSTOMER

CARCLO

TITLE

10MM FROSTED MEDIUM

DRAWN

MB

DATE

25-Jun-07

CHK'D

DATE

APP'D

DATE

SCALE

5:1

COIL PART No.

10413

SIZE

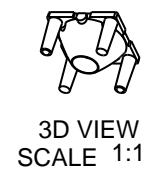
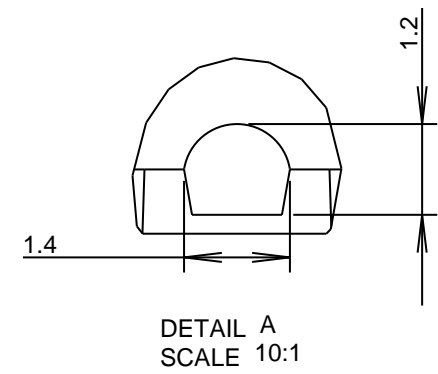
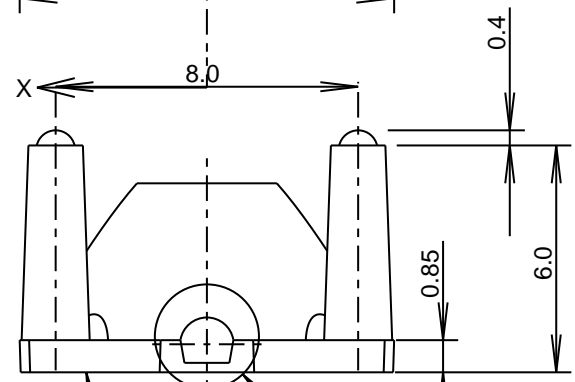
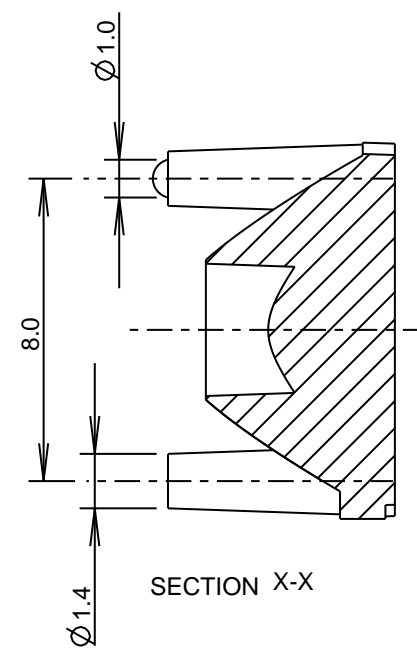
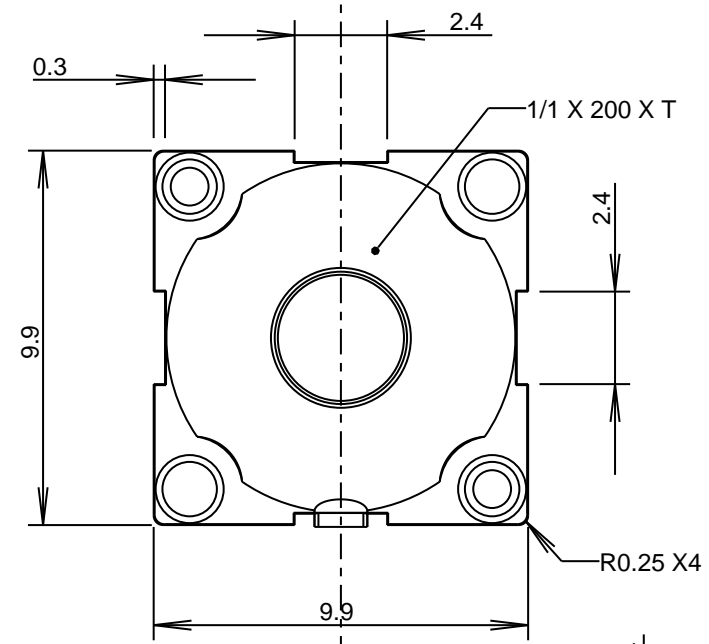
A4

COIL DRG. No.

60526

SHEET

1 OF 1



FROSTED FINISH

SEE DETAIL A

- NOTES:
1. MATERIAL - UV STABILISED POLYCARBONATE
2. INCLUSIONS SPECIFIED TO BS4301