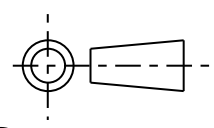


ISS.	DATE	E.C.N.	DESCRIPTION
1	1-Jun-08		FIRST ISSUE

© 2008 CARCLO
ALL DIMENSIONS IN mm



CUSTOMER DRAWING



CARCLO TECHNICAL PLASTICS (SLOUGH) LTD.
111 BUCKINGHAM AVE, SLOUGH
SL1 4PF, ENGLAND
TEL: +44 1753 575011 FAX: +44 1753 811359
e-mail: design.slough@carclo-optics.com

GENERAL TOLERANCES (UNLESS STATED)

LINEAR	ANGULAR
X +/- 0.25	X +/- 1°
X.X +/- 0.1	X.X +/- 0.5°
X.XX +/- 0.05	X.XX +/- 0.1°

CUSTOMER

CARCLO

TITLE

10MM FROSTED WIDE

DRAWN

AJD

DATE

1-Jun-08

CHK'D

DATE

APP'D

DATE

SCALE

5:1

COIL PART No.

10414

SIZE

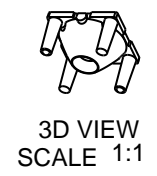
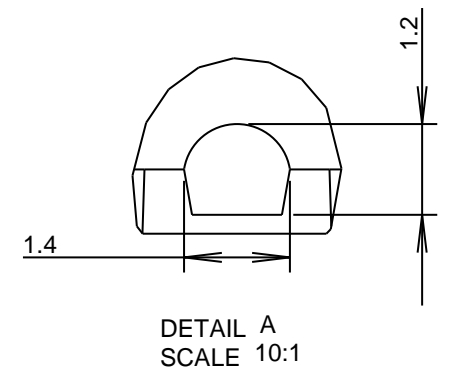
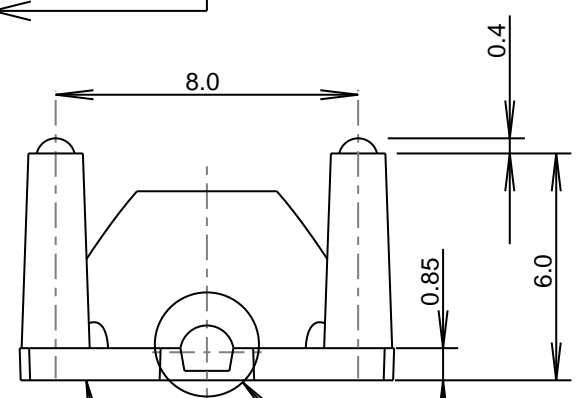
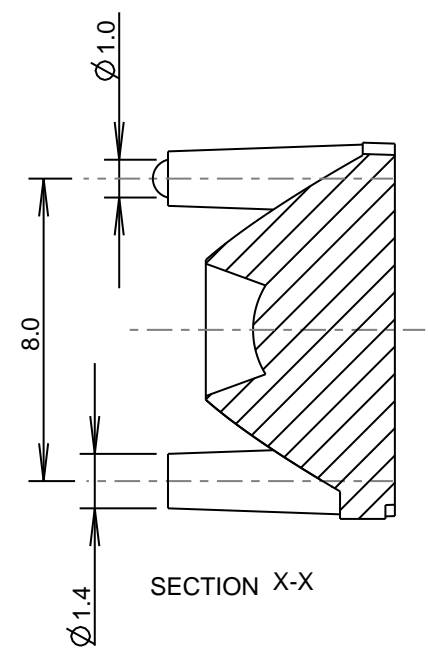
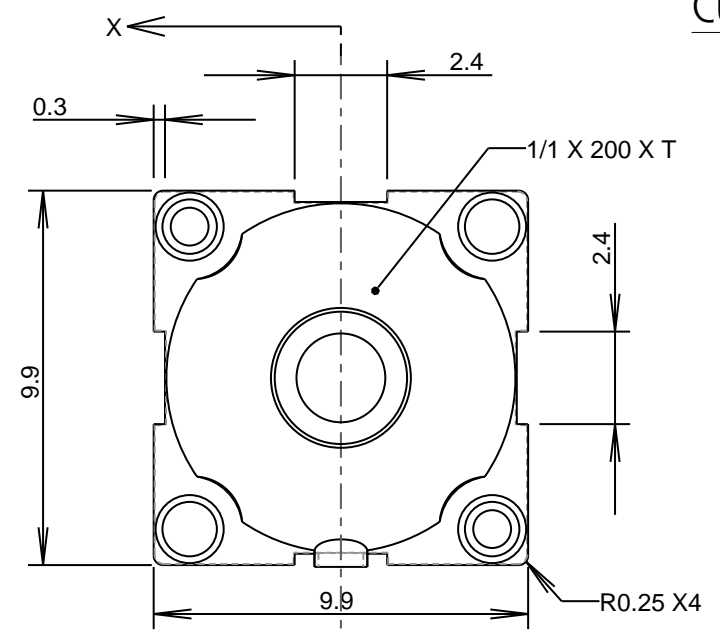
A4

COIL DRG. No.

60527

SHEET

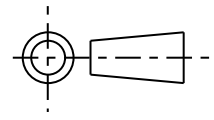
1 OF 2



- NOTES:
1. MATERIAL - UV STABILISED POLYCARBONATE
2. INCLUSIONS SPECIFIED TO BS4301

ISS.	DATE	E.C.N.	DESCRIPTION
1	1-Jun-08		FIRST ISSUE

© 2008 CARCLO
ALL DIMENSIONS IN mm



CARCLO TECHNICAL PLASTICS (SLOUGH)
111 BUCKINGHAM AVE, SLOUGH
SL1 4PF, ENGLAND
TEL: +44 1753 575011 FAX: +44 1753 811359
e-mail: design.slough@carclo-optics.com

PCB GLUE PAD AND ALIGNMENT HOLE LAYOUT DIMENSIONS

GENERAL TOLERANCES (UNLESS STATED)

LINEAR	ANGULAR
X +/- 0.25	X +/- 1°
X.X +/- 0.1	X.X +/- 0.5°
X.XX +/- 0.05	X.XX +/- 0.1°

CUSTOMER
CARCLO

TITLE
10MM FROSTED WIDE

DRAWN
AJD

DATE
1-Jun-08

CHK'D

DATE

APP'D

DATE

SCALE
5:1

CARCLO PART No.
10414

SIZE
A4

CARCLO DRG. No.
60527

SHEET
2 OF 2

