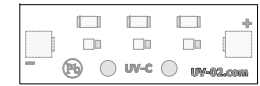
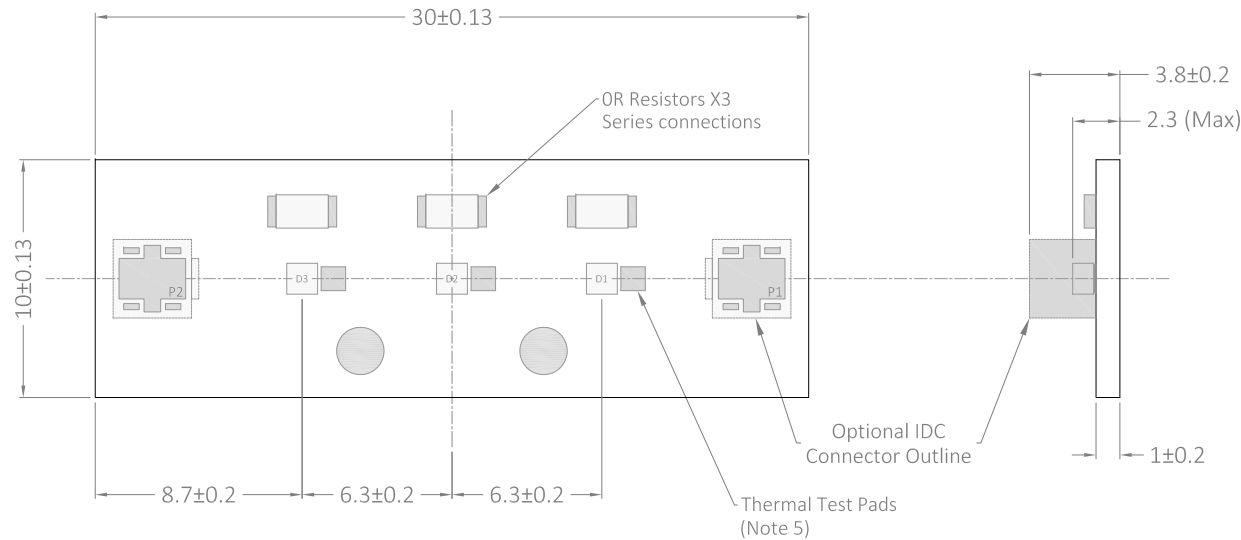


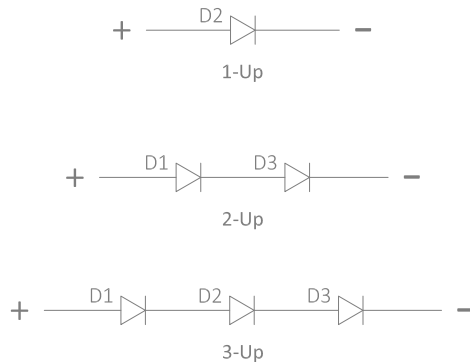
REVISIONS			
REV	DESCRIPTION	BY	DATE



PCB Pads & Markings
1:1



Scale 3:1



Connection Schematics

NOTES:

1. Base is aluminum MCPCB with white soldermask and black markings.
2. Bottom of the MCPCB base is uncoated and electrically neutral.
3. Solder pads are ENIG plated.
4. LED module must be mounted to a suitable heat sink with a thermally conductive interface material such as our pre-cut thermal adhesive tape. (Part LXT-UV02-10)
5. The thermal test pads are electrically connected to the LED anode. See the datasheet for instructions for determining LED junction temperature.

QTY	DESCRIPTION
1	UV-02 MCPCB
1-3	Luminus Devices XBT-1313-UV LEDs
2	ERNI 474340 IDC Terminal (optional)
Luxeon Star LEDs service@luxeonstar.com / www.luxeonstar.com	
PROJECT UV-02 SABER ² UV-C 10x30 mm LED Module	
Quadica Developments Inc.	
PART: UV-02-XX	REV: A

SCALE	As noted	DRAWN	RW	Apr 6/20	SOLDER PASTE	AIM NC-258
UNITS	MM	CHECKED	WW	Apr 7/20	REFLOW PROFILE	Standard
TOLERANCE	As noted	ISSUED		Apr 9/15	QTY PER PANEL	9

