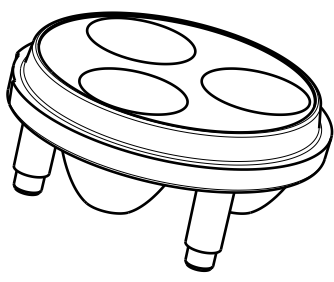
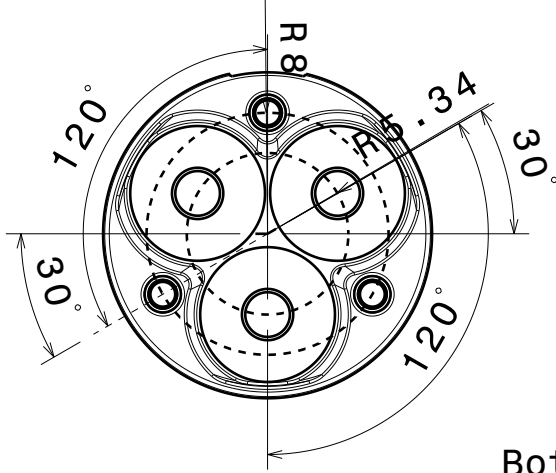


D C B A

4

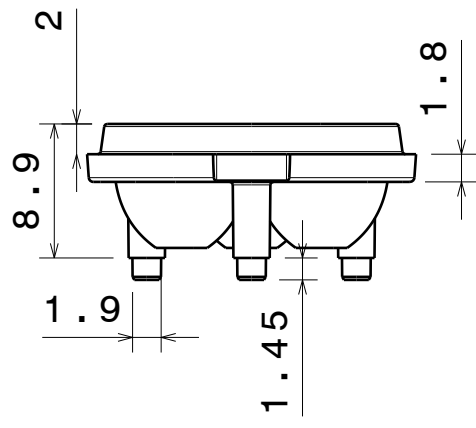


Isometric view



Bottom view

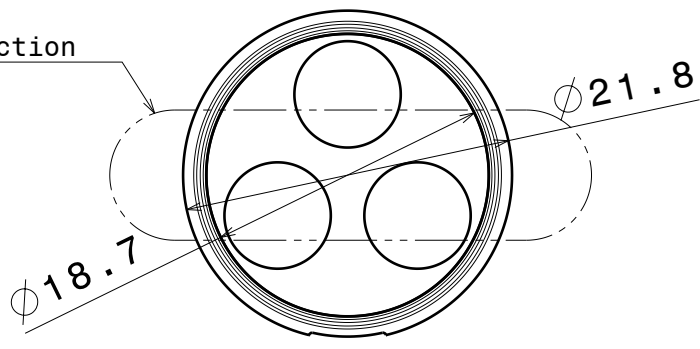
3



Front view

2

Oval beam direction



Top view

Material: PMMA

This drawing is our property. It can't be reproduced or communicated without our written agreement.



DRAWING TITLE

Datasheet Satu Lens

DRAWN BY o	DATE 31.05.2010
---------------	--------------------

CHECKED BY p	DATE 31.05.2010
-----------------	--------------------

SIZE A4	DRAWING NUMBER	REV 1
------------	----------------	----------

DESIGNED BY hh/ol	DATE 31.05.2010
----------------------	--------------------

SCALE 2:1	WEIGHT (g)	SHEET 1/1
--------------	------------	--------------

1

1

D A