

## DETAILS

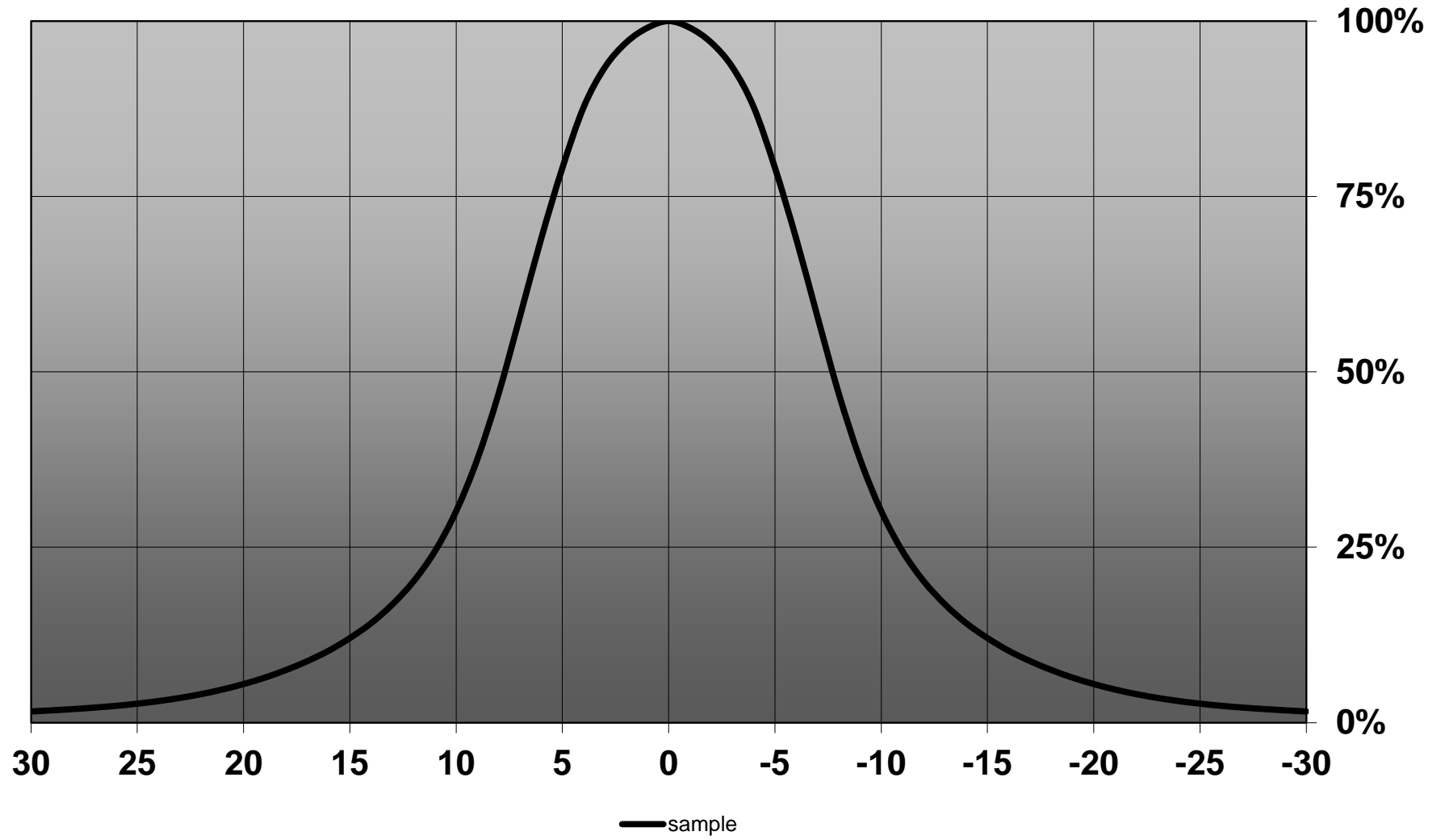
<b>Product Number</b>	C11916_SATU-S
<b>Family</b>	Satu
<b>Type</b>	Lens array
<b>Color</b>	clear
<b>Diameter</b>	21.8 mm
<b>Height</b>	8.9 mm
<b>Style</b>	round
<b>Optic Material</b>	PMMA
<b>Holder Material</b>	
<b>Fastening</b>	pin, glue
<b>Status</b>	ready
<b>ROHS Compliant</b>	Yes
<b>Date Updated</b>	5/09/2012



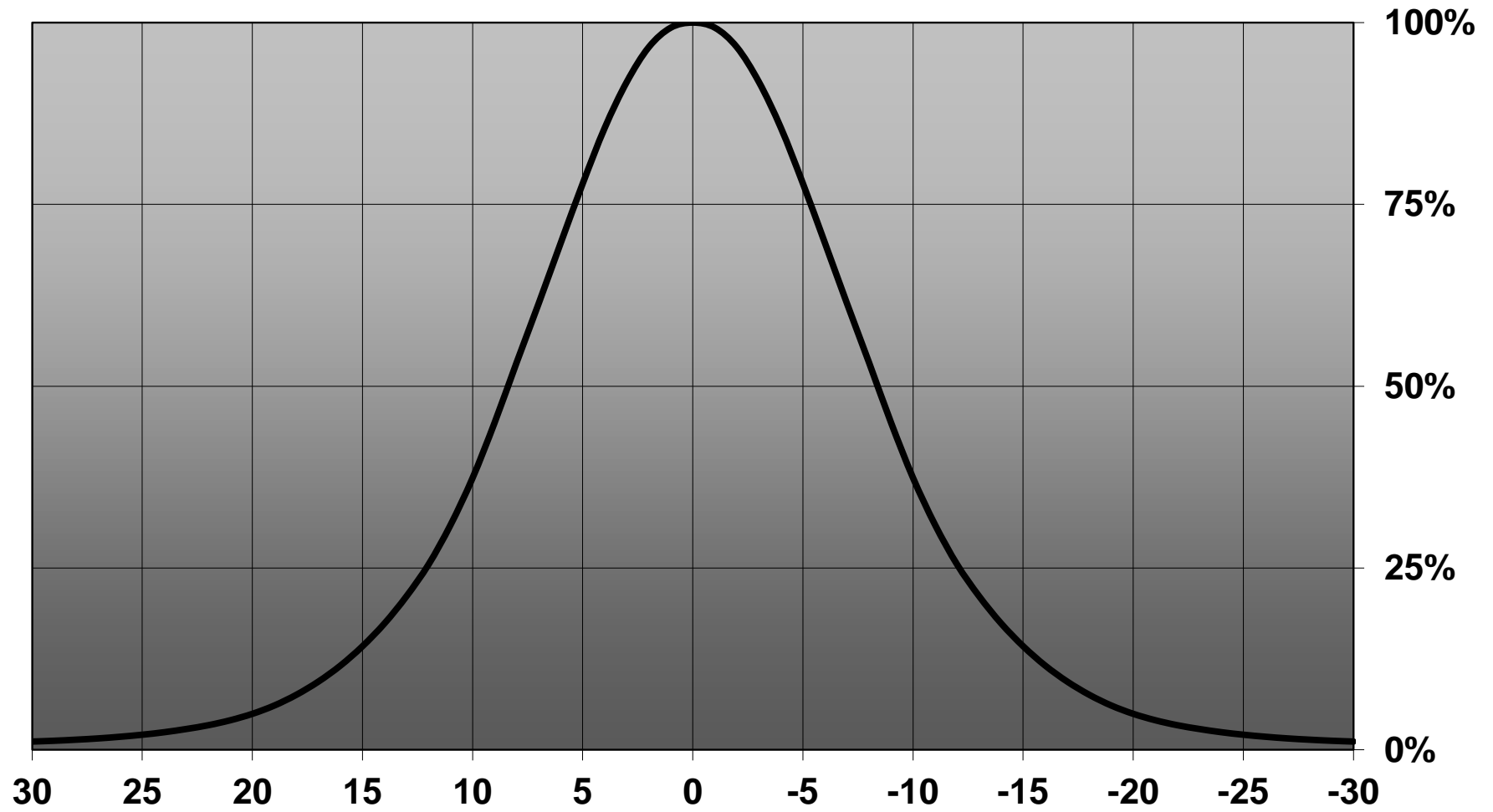
## OPTICAL PROPERTIES

LED	Viewing Angle	Light Beam	Efficiency	cd/lm	Connector
NCSxx19A	sim:	Spot	-	-	-
NVSxx19A	sim:	Spot	-	-	-
Oslon SSL 80	16 deg	Spot	89 %	sim: 0.000	-
Oslon SSL 150	17 deg	Spot	92 %	6.000	-
XB-D	18 deg	Spot	93 %	5.200	-
LUXEON Rebel	18 deg	Spot	91 %	sim: 0.000	-
XP-E	18 deg	Spot	88 %	sim: 0.000	-
XP-G	25 deg	Spot	88 %	sim: 0.000	-

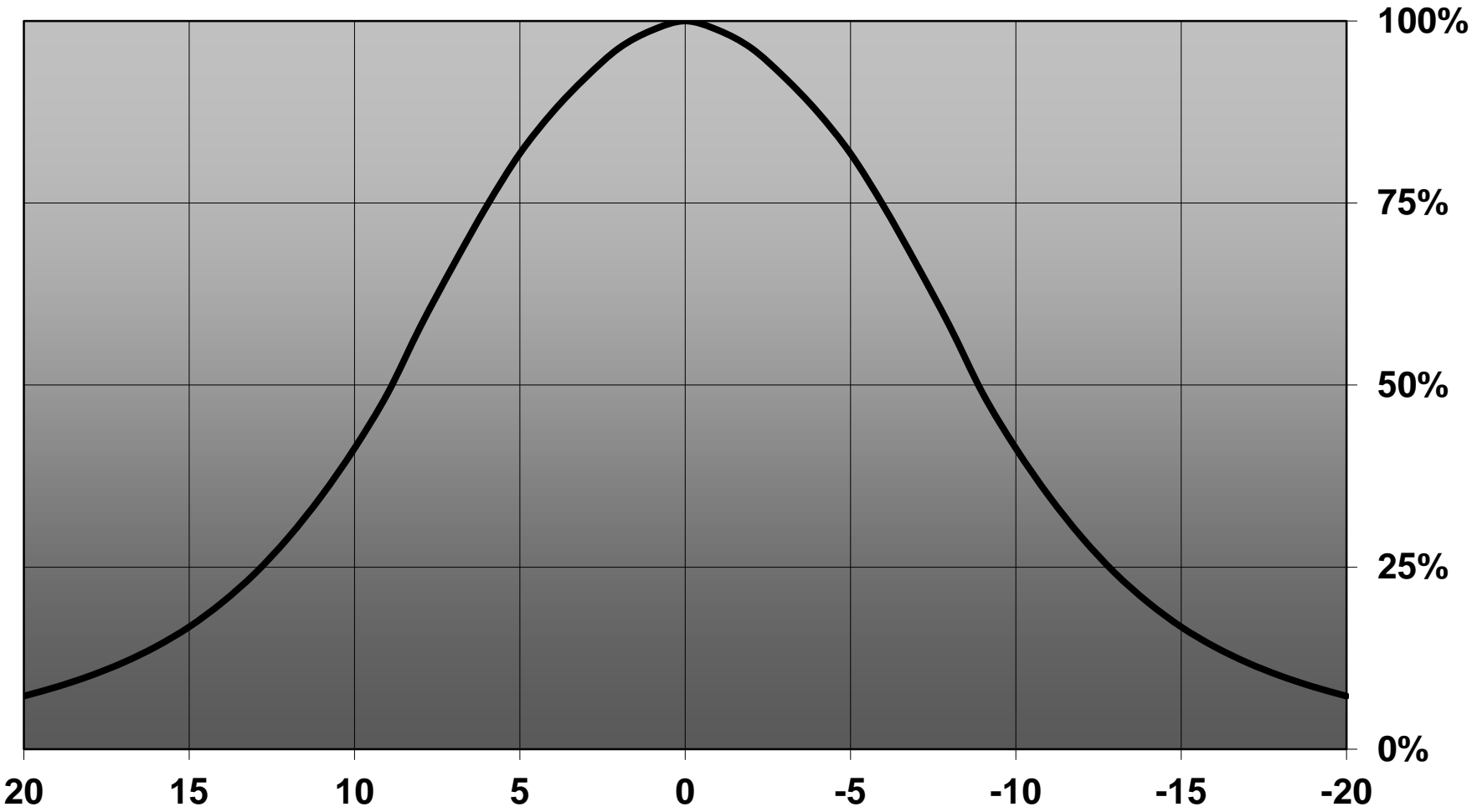
Relative intensity of C11916\_Satu-S-OSL80



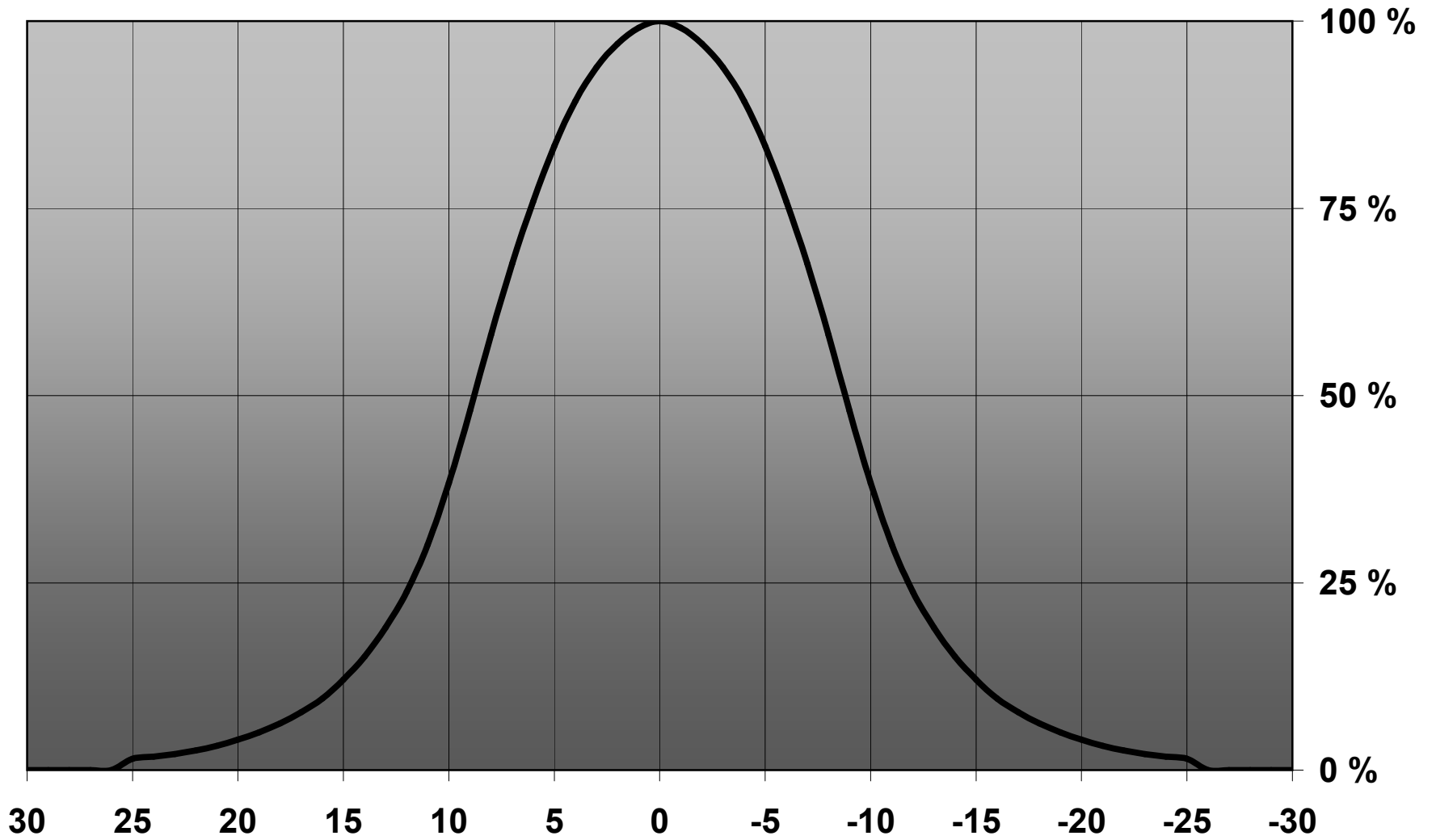
Relative intensity of C11916\_Satu-S-OSL150



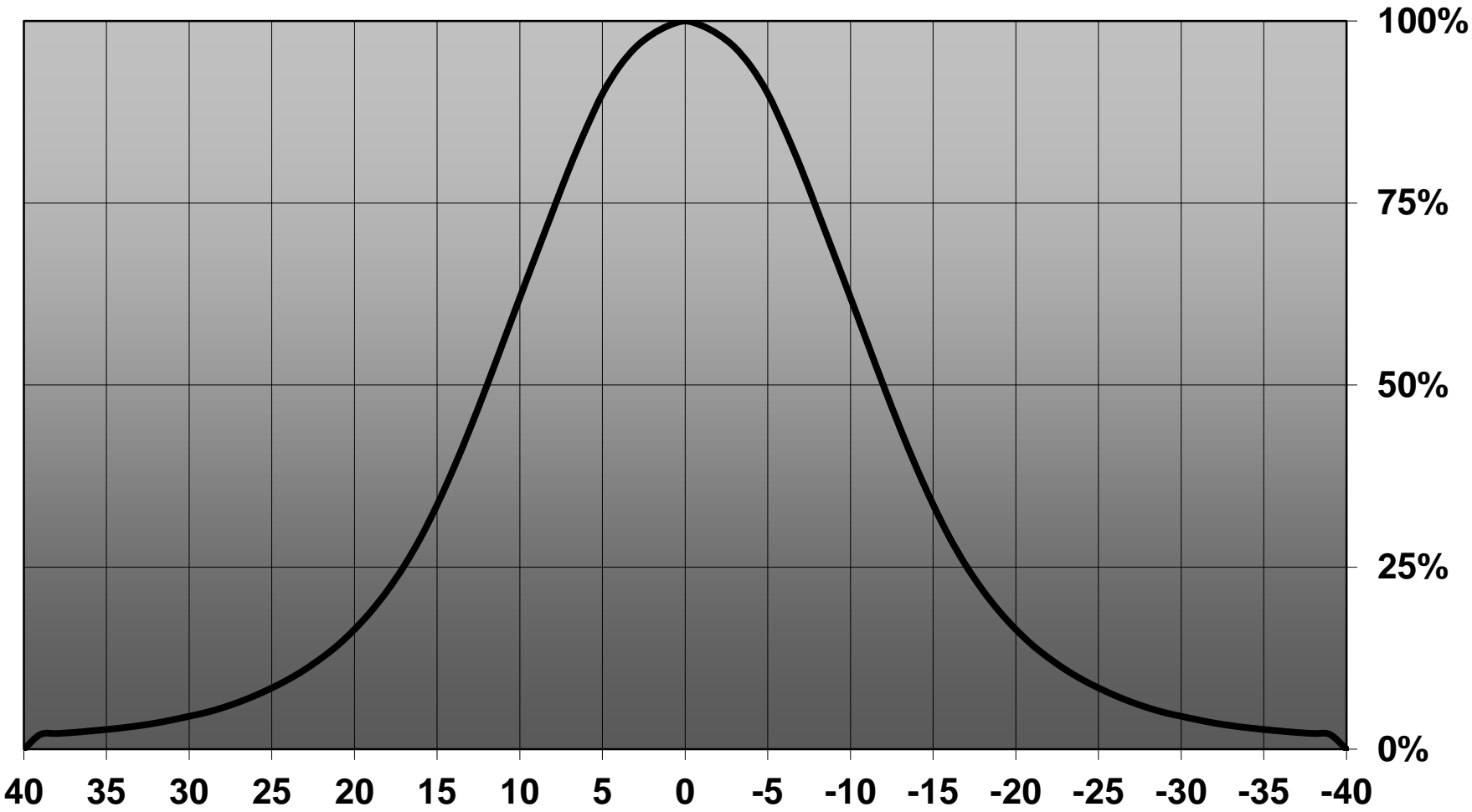
**Relative intensity of C11916\_SATU-S-XBD**



# Relative Intensity of C11916\_Satu-S-XP

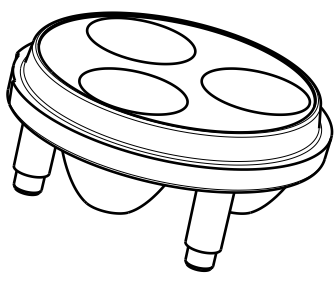


Relative intensity of C11916-Satu-S-XP-G

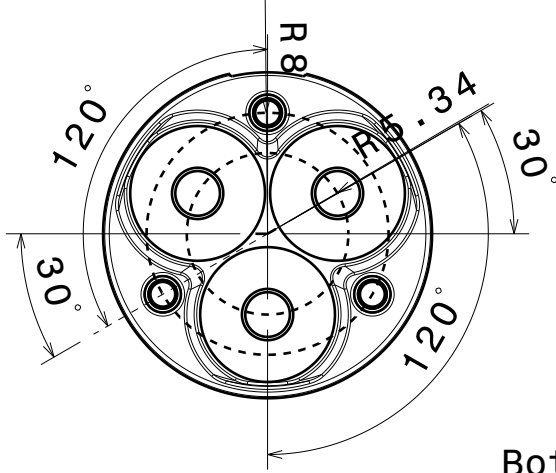


D C B A

4

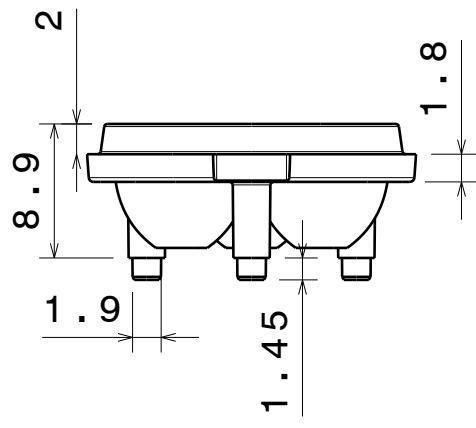


Isometric view



Bottom view

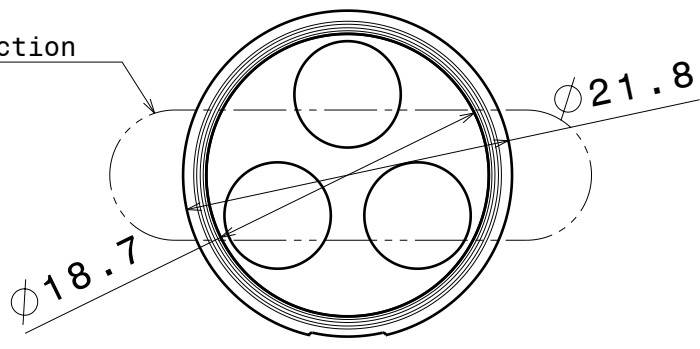
3



Front view

2

Oval beam direction



Top view

Material: PMMA

This drawing is our property. It can't be reproduced or communicated without our written agreement.



DRAWING TITLE

Datasheet Satu Lens

DRAWN BY o	DATE 31.05.2010
---------------	--------------------

CHECKED BY p	DATE 31.05.2010
-----------------	--------------------

SIZE A4	DRAWING NUMBER	REV 1
------------	----------------	----------

DESIGNED BY hh/ol	DATE 31.05.2010
----------------------	--------------------

SCALE 2:1	WEIGHT (g)	SHEET 1/1
--------------	------------	--------------

1

1

D A

**NOTE: The typical divergence will be changed by different color, chip size and chip position tolerance. The typical total divergence is the full angle measured where the luminous intensity is half of the peak value.**