

The **MiniPuck** is a highly efficient step down converter designed for driving high-powered LEDs. With a form factor of measuring less than one cubic inch, it is ideal for many applications where size and efficiency is essential. The MiniPuck is available in three variants of drive currents (350mA, 500mA and 700mA) and can be PWM dimmed down to five percent.

Features

- o Made in America design and quality
- o DC input power up to 30V
- o 350, 500 and 700mA constant current output
- o Accepts 1 to 30Vp PWM signals for dimming
- o Customization of specifications available
- o Small mechanical envelope
- o Output open circuit and short circuit protection
- o Over temperature protection

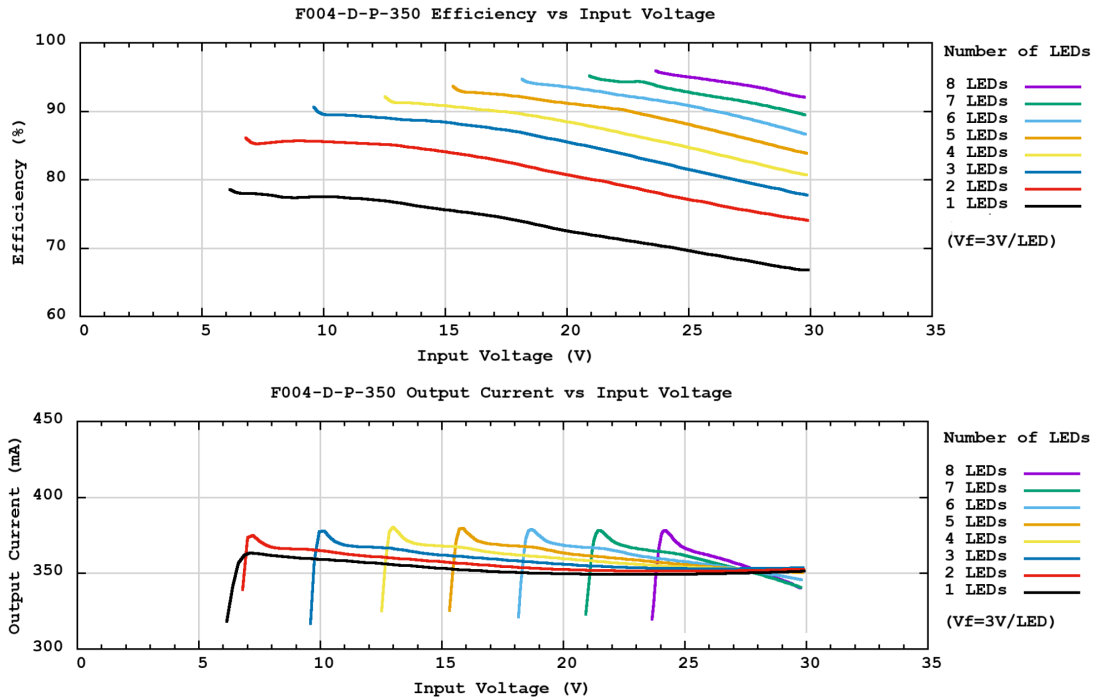


Specifications

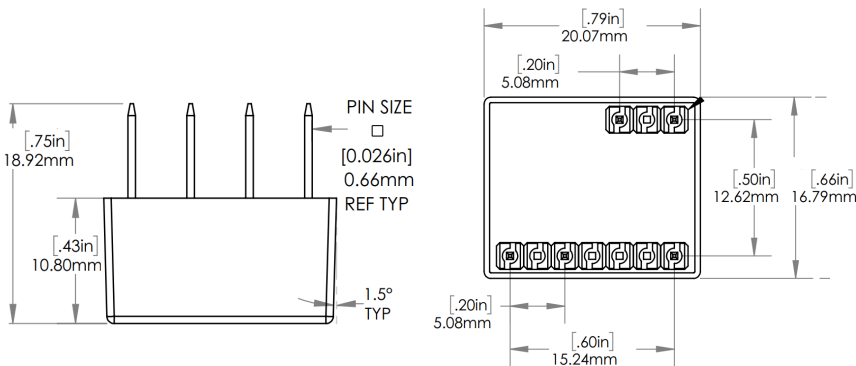
Product		F004-D-P-350	F004-D-P-500	F004-D-P-700
General	Topology:	Buck		
	Input / Output:	DC / DC		
Input	Voltage Range:	6.5 to 30 V		
	Input Margin:	2.5 V		
	Efficiency:	97%		
Output	Drive Current:	350 mA	500 mA	700 mA
	Current Accuracy:	± 10%		
	Trim Range:	None		
Control	Dimming:	Yes		
	Type:	PWM		
	Input:	1 to 30 V		
	Impedance:	47 kΩ Typical		
	Frequency:	100 to 2000 Hz		
Protection	Quiescent Current:	100 μA Typical		
	Short Circuit:	Yes		
	Open Circuit:	Yes		
Environment	Over Temp:	Yes		
	Operating Case Temp _{Max} :	-40 to 80° C		
Mechanical	Storage Temp:	-40 to 125° C		
	Connection:	5 Pin		
	Dimension:	0.79 x 0.66 x 0.43 in		
Regulatory	Weight:	0.24 oz		
	Compliance:	RoHS, UL		
	EMI Filter:	Option Available		
	Warranty:	2 Year		

* All specifications are subject to change without prior notification.

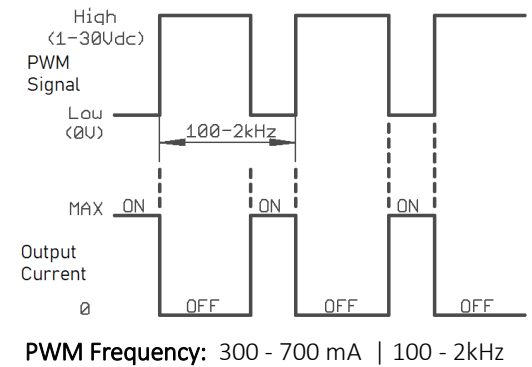
Typical Performance Characteristics



Mechanical Drawings



Dimming



Wiring Example



Ordering Detail

Product	Input Voltage	Driver Current	Control	Connection
F004-D-P-350	6.5 to 32 V _{DC}	350	PWM	5 Pin
F004-D-P-500		500		
F004-D-P-700		700		