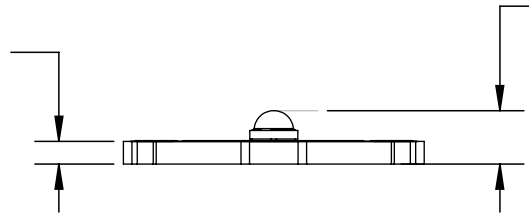
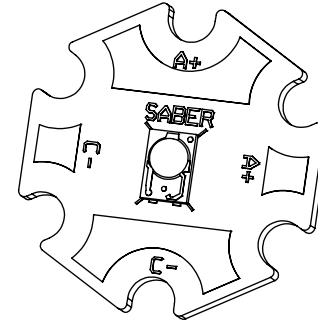


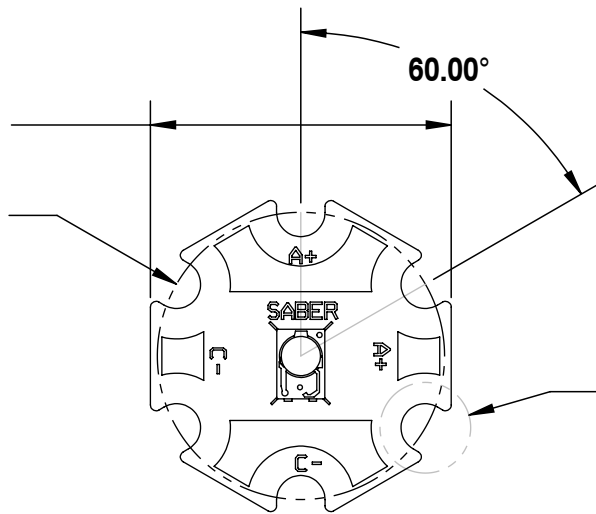
[.06]  
1.50



[.142]  
[.138]  
3.60  
3.50



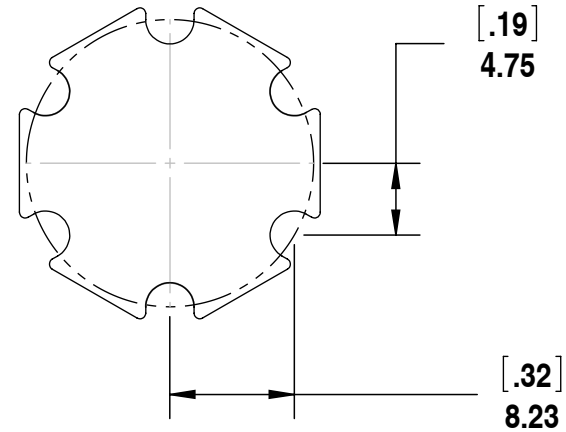
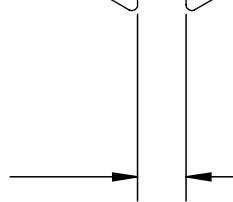
[.78]  
19.90  
[.37]  
R9.50



60.00°

[.24]  
Ø6

[.13]  
3.20



[.19]  
4.75

[.32]  
8.23

UNLESS OTHERWISE SPECIFIED:

DIMENSIONS ARE IN INCHES  
TOLERANCES:  
FRACTIONAL ±  
ANGULAR: MACH ± BEND ±  
TWO PLACE DECIMAL ±  
THREE PLACE DECIMAL ±

INTERPRET GEOMETRIC  
TOLERANCING PER:

MATERIAL

FINISH

DO NOT SCALE DRAWING

NAME

DATE

DRAWN

TW

4/23/2010

CHECKED

ENG APPR.

MFG APPR.

Q.A.

COMMENTS:

Quadica Developments Inc

TITLE:

Saber 20mm Star Base

SIZE  
A

DWG. NO.

REV

SHEET 1 OF 1