

1 2 3 4 5 6

A

B

C

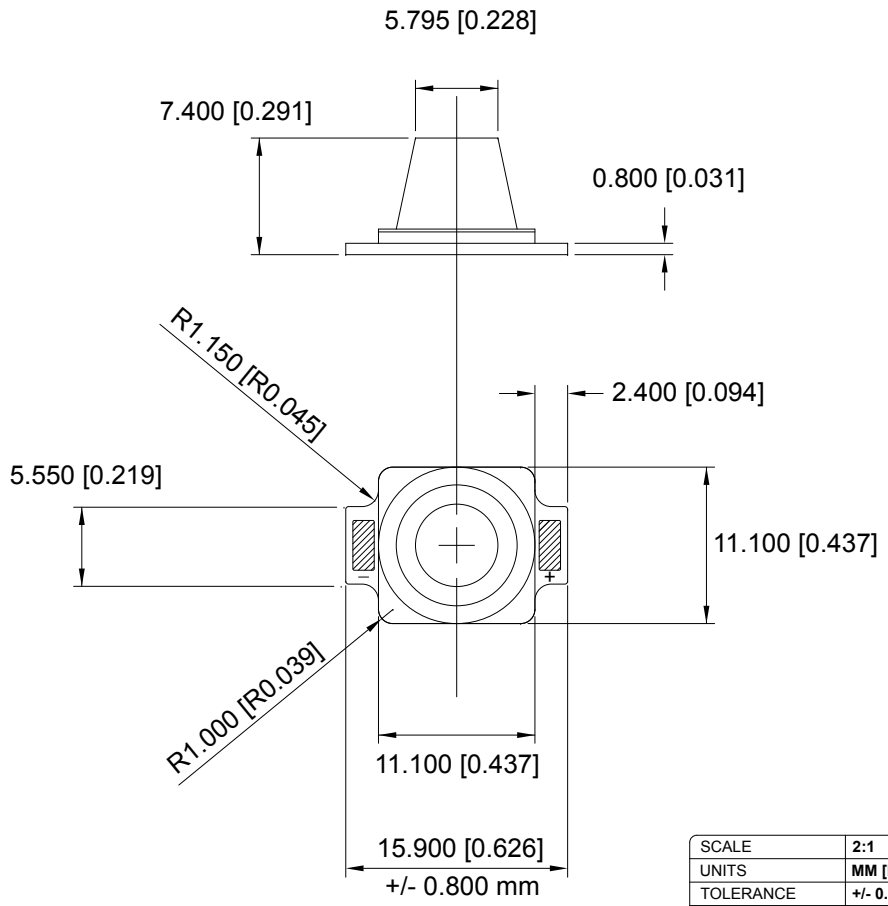
D

A

B

C

D



**Notes:**

PCB constructed and LEDs mounted using recommended practices as detailed in Philips/Lumileds application note AN32 - "LUXEON Rebel and LUXEON Rebel ES Assembly and Handling Guide".

Base constructed from FR4 laminate with 2 oz copper and off-white solder mask.

Assembly must be mounted to a suitable heat sink with a thermally conductive interface material such as our pre-cut thermal adhesive tape. (Part LXT-SR04-10).

QTY	DESCRIPTION

SCALE	2:1	NAME	RW	DATE	Jun 30/11
UNITS	MM [INCHES]	DRAWN	RW	CHECKED	WW
TOLERANCE	+/- 0.300 mm	RELEASED			Jun 30/11
SOLDER					
REFLOW PROFILE					
QTY PER PANEL					
DEPANELIZED					
COMMENTS:					
Above values unless otherwise noted					
DO NOT SCALE DRAWING					

**Quadica Developments Inc.**

PROJECT: Rebel Side Emitter LED Assembly

**Luxeon Star LEDs**

DWG: sr-04.dwg	PART: SR-04	REV:
PROJECT ID:	SHEET 1 OF 1	

1 2 3 4 5 A4