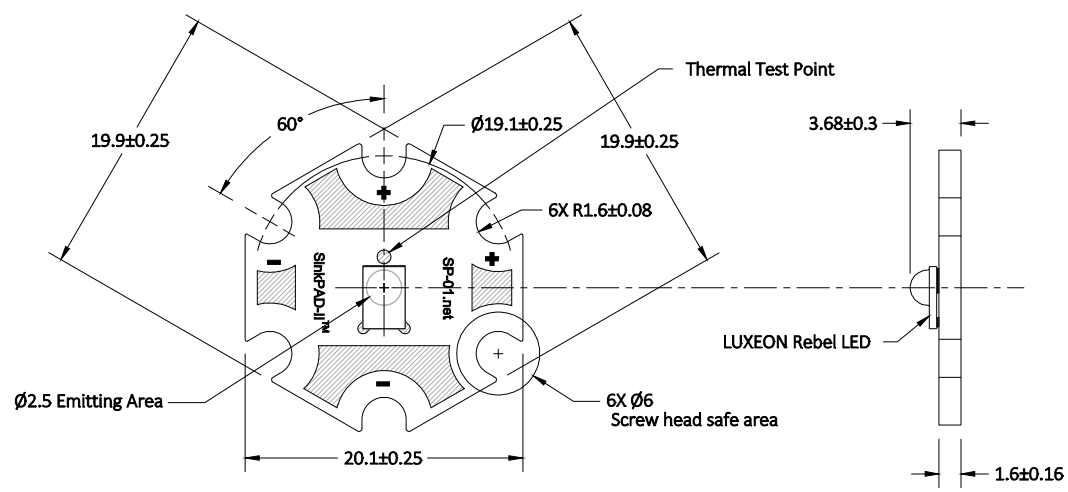


1 2 3 4 5 6

A

A



**Notes:**  
Base is SinkPAD-II aluminium MCPCB with white solder mask and black markings.

Assembly must be mounted to a suitable heat sink with a thermally conductive interface material such as our pre-cut thermal adhesive tape. (Part LXT-S-12)

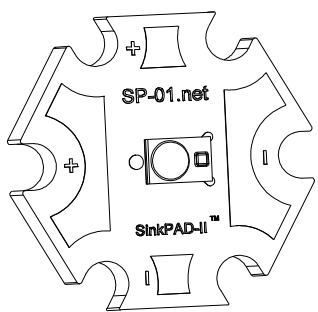
See the technical documentation for instructions for determining LED junction temperature using the Thermal Test Point.

B

B

C

C



QTY	DESCRIPTION
1	SP-01 SinkPAD-II MCPCB
1	Lumileds Rebel LED

SCALE	2:1	NAME	RW	DATE	May 15/14
UNITS	MM	DRAWN	RW	DATE	May 15/14
TOLERANCE	As noted	CHECKED	WW	DATE	May 28/14
SOLDER	Kester EM828	RELEASED		DATE	Aug 1/14
REFLOW PROFILE	Standard				
QTY PER PANEL	15	COMMENTS:			
DEPANELIZED	Yes				
	Above values unless otherwise noted				
	DO NOT SCALE DRAWING				

**Quadica Developments Inc.**

PROJECT: **SP-01 SinkPAD-II Rebel Star LED Assembly**

**Luxeon Star LEDs**

DWG: SP-01-Assembly.dwg    PART: SP-01-XX    REV: A

PROJECT ID:    SHEET 1 OF 1

D

D

1 2 3 4 5 6 A4