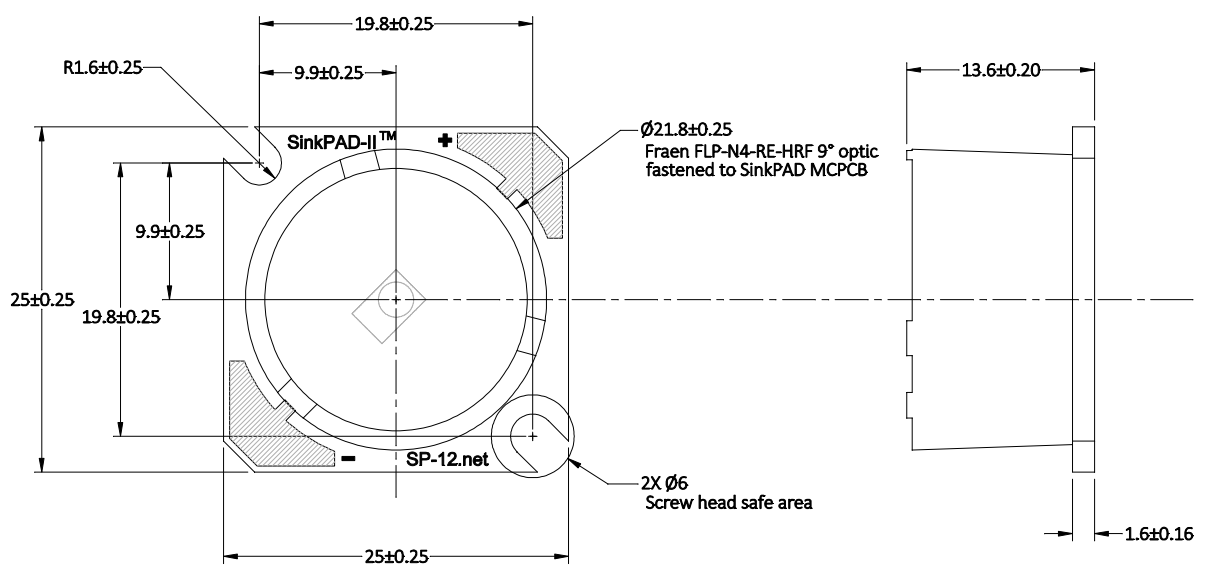


1 2 3 4 5 6

A

A



Notes:
Base is SinkPAD-II aluminium MCPCB with white solder mask and black markings.

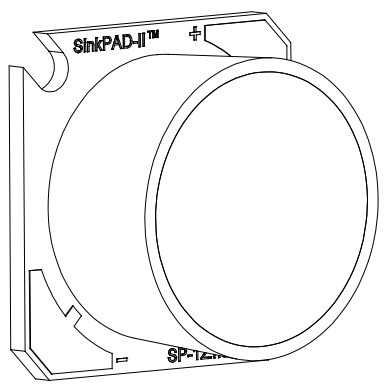
Assembly must be mounted to a suitable heat sink with a thermally conductive interface material such as our pre-cut thermal adhesive tape. (Part LXT-O-9)

B

B

C

C



QTY	DESCRIPTION
1	SP-12 SinkPAD-II MCPCB
1	Lumileds Rebel LED
1	Fraen FLP-N4-RE-HRF 9° Optic

SCALE	2:1		NAME	DATE
UNITS	MM	DRAWN	RW	May 15/14
TOLERANCE	As noted	CHECKED	WW	May 28/14
SOLDER	Kester EM828	RELEASED		Aug 1/14
REFLOW PROFILE	Standard			
QTY PER PANEL	56	COMMENTS:		
DEPANELIZED	Yes			
Above values unless otherwise noted				
DO NOT SCALE DRAWING				

Quadica Developments Inc.

PROJECT
**SP-12 SinkPAD-II
 Rebel Star/O LED Assembly**

Luxeon Star LEDs

DWG: SP-12-Assembly.dwg	PART: SP-12-XX	REV: A
PROJECT ID:	SHEET 1 OF 1	

D

D

1 2 3 4 5 6 A4