

1

2

3

4

5

6

A

A

B

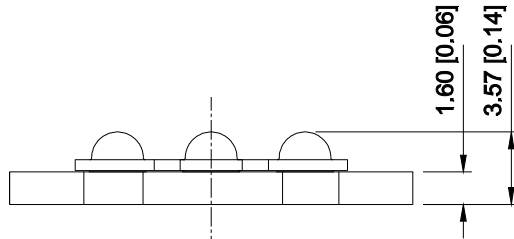
B

C

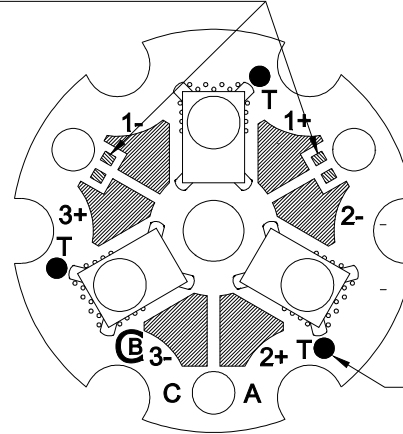
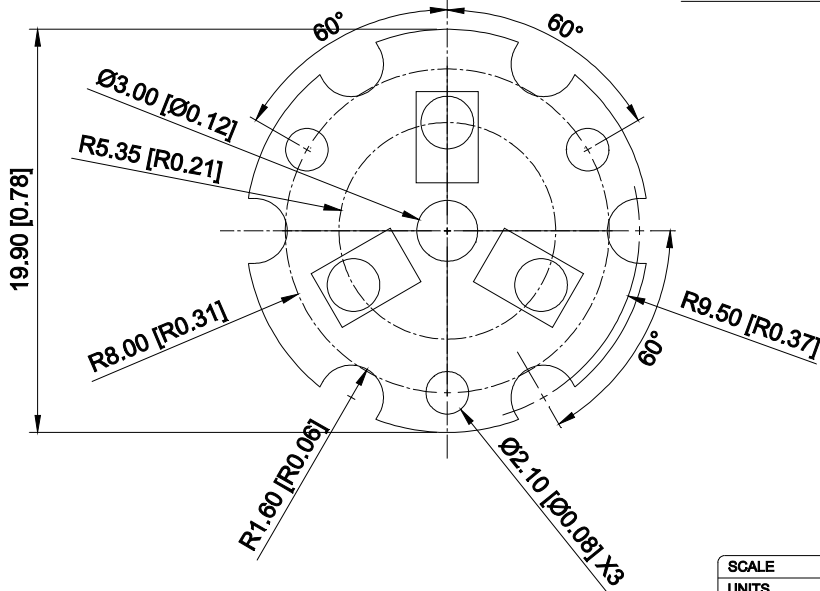
C

D

D



Series Configuration Pads - see notes



PADS & MARKINGS

Notes:

Thermally conductive base constructed from FR4 laminate with 2 oz copper, white solder mask and black markings.

Assembly must be mounted to a suitable heat sink with mechanical fasteners (E.g., 4-40 screws) and/or a thermally conductive interface material such as our pre-cut thermal adhesive tape (part LXT-S-12), or Arctic Silver Thermal Adhesive (part ASTA-7G).

Assembly can be configured for series operation by applying solder dots or 0805 package 0R resistors between the series configuration pads.

See technical documentation for instructions for determining LED junction temperatures using the Junction Temperature Test Point.

Junction Temperature Test Point

SCALE	3:1	NAME	DATE
UNITS	MM [INCHES]	DRAWN	RW Mar 1/12
TOLERANCE		CHECKED	WW Mar 1/12
SOLDER	Keester EM928	RELEASED	May 18/12
REFLOW PROFILE			
QTY PER PANEL		COMMENTS:	
DEPANELIZED			
Above values unless otherwise noted			
DO NOT SCALE DRAWING			

QTY	DESCRIPTION
1	SR-03 CoolBase FR4 PCB
3	Lumileds Rebel LED
<p align="center">Quadica Developments Inc.</p>	
PROJECT	
<p align="center"><i>SR-03 Rebel Tri-Star LED Assembly</i></p>	
<p align="center">Luxeon Star LEDs</p>	
DWG: SR-03-Assembly.dwg	PART: SR-03-XX
	REV: D
PROJECT ID:	SHEET 1 OF 1

1

2

3

4

5

A4