

1 2 3 4 5 6

A

B

C

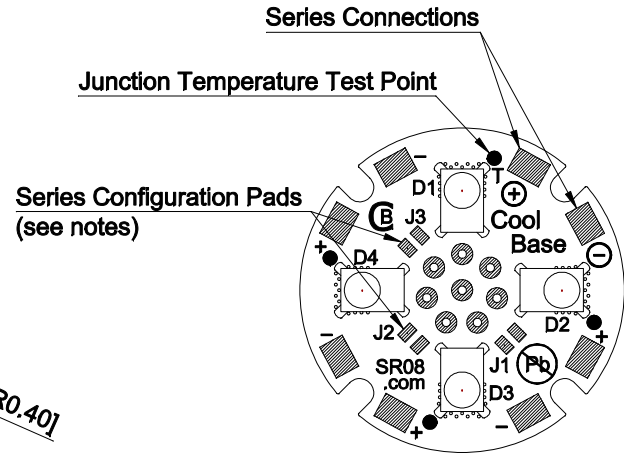
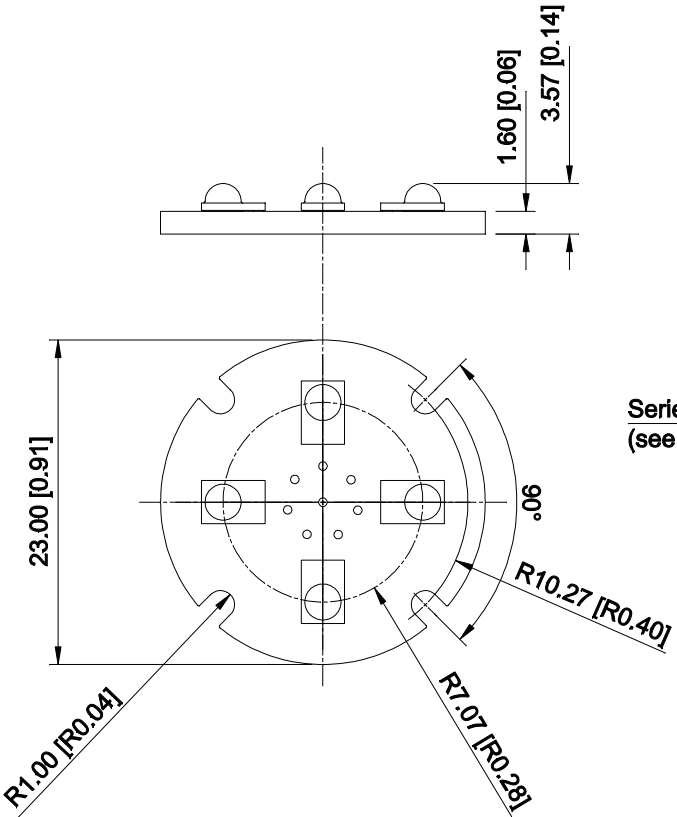
D

A

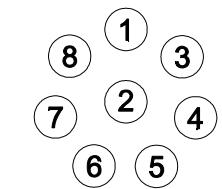
B

C

D



PADS & MARKINGS



PAD	CONNECTION
1	D1 - Cathode
2	D1 - Anode (Series +)
3	D2 - Cathode (Series -)
4	D2 - Anode
5	D3 - Cathode
6	D3 - Anode
7	D4 - Cathode
8	D4 - Anode

SCALE	2:1	NAME	DATE
UNITS	MM [INCHES]	DRAWN	RW May 21/12
TOLERANCE		CHECKED	WW May 21/12
SOLDER	Keester EM828	RELEASED	June 8/12
REFLOW PROFILE			
QTY PER PANEL		COMMENTS:	
DEPANELIZED			
Above values unless otherwise noted			
DO NOT SCALE DRAWING			

Notes:

Thermally conductive base constructed from FR4 laminate with 2 oz copper, white solder mask and black markings.

Connect to the assembly using 26 or 28 AWG stranded hookup wire.

This assembly must be mounted to a suitable heat sink with a thermally conductive interface material such as our pre-cut thermal adhesive tape (Part LXT-SR08-12), or Arctic Silver Thermal Adhesive. Part number ASTA-7G.

Assembly can be configured for series operation by applying solder dots or 0805 package 0R resistors between series configuration pads J1, J2 & J3.

See technical documentation for instructions for determining LED junction temperatures using the Junction Temperature Test Point.

QTY	DESCRIPTION
1	SR-08 CoolBase FR4 PCB
1	Lumileds Rebel LED

Quadica Developments Inc.

PROJECT
SR-08 Rebel Quad LED Assembly

Luxeon Star LEDs

DWG: SR-08-Assembly.dwg	PART: SR-08-XX	REV: B
PROJECT ID:	SHEET 1 OF 1	

1 2 3 4 5 A4