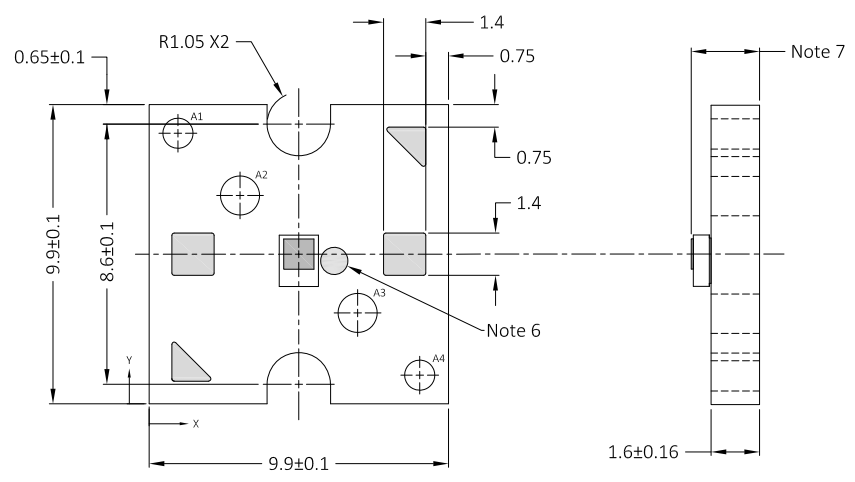


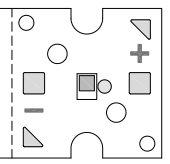


PCB Markings
Actual Size



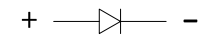
Scale 1:4

Saber Z1
LUXEON® Z LED
For complete specs & app
notes, go to: SZ-01.net



Saber Z1 Carrier Tab
Note 1

Scale 1:2



Connection Schematic

Hole Location Chart				
Hole ID	X Loc	Y Loc	Dia	Loc Tol
A1	0.95	8.95	1±0.05	±0.075
A2	3.01	6.89	1.3±0.05	
A3	6.89	3.01	1.3±0.05	
A4	8.95	0.95	1±0.05	

SCALE	As noted	NAME	RW	DATE	May 14/15
UNITS	MM	DRAWN	WW	CHECKED	May 14/15
TOLERANCE	As noted	RELEASED			May 15/15
SOLDER PASTE	AIM NC-258	LAST REVISED	RW		Jan 9/18
REFLOW PROFILE	Standard				
QTY PER PANEL	10				
DEPANELIZED	Yes				
Above values unless otherwise noted					



- Notes**
- The Saber Z1 is delivered attached to a carrier tab for easy handling during shipping and production. The carrier tab is v-scored so that the LED module can be easily separated from the carrier.
 - Base is aluminum MCPCB with white soldermask and black markings.
 - Bottom of the MCPCB base is uncoated and electrically neutral.
 - Solder pads are ENIG plated.
 - LED module must be mounted to a suitable heat sink with a thermally conductive interface material such as our pre-cut thermal adhesive tape. (Part LXT-Z-10)
 - Thermal test point. The test pad is electrically connected to the LED anode. See the datasheet for instructions for determining LED junction temperature.
 - The maximum overall height will depend on the mounted LED:
 - Blue, Green Royal Blue & Cyan = 2.65mm
 - Red, Red-Orange, Amber & Deep Red = 2.95mm
 - Lime and PC Amber = 2.69mm
 - UV = 2.72mm

QTY	DESCRIPTION
1	SZ-01 MCPCB
1	LUXEON Z LED

Quadica Developments Inc.

PROJECT

SABER Z1
LUXEON Z 10mm Square LED Module

Luxeon Star LEDs

DWG: SZ-01a.dwg	PART: SZ-01-XX	REV: A
PROJECT ID:	SHEET 1 OF 1	

1 2 3 4 5 6

A

B

C

D

1 2 3 4 5 6

LTR