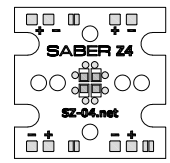


Scale 1:3



PCB Markings Actual Size

**Notes**

1. Base is aluminum MCPCB with white soldermask and black markings.
2. Bottom of the MCPCB base is uncoated and electrically neutral.
3. Solder pads are ENIG plated.
4. LED module must be mounted to a suitable heat sink with a thermally conductive interface material such as our pre-cut thermal adhesive tape. (Part LXT-Z-20)
5. The thermal test pads are electrically connected to the LED anodes/cathodes. See the datasheet for instructions for determining LED junction temperature.
6. To power the LEDs in series, create a solder bridge between the series connection pads. (3 locations) See the datasheet for additional connection information.
7. Solder pads are located from the X/Y baseline to the center of the solder pad.
8. The maximum overall height will depend on the mounted LED:
  - Blue, Green Royal Blue & Cyan = 2.65mm
  - Red, Red-Orange, Amber & Deep Red = 2.95mm
  - Lime and PC Amber = 2.69mm
  - UV = 2.72mm

QTY	DESCRIPTION
1	SZ-04 MCPCB
4	LUXEON Z LED

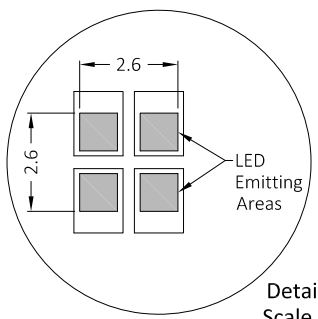
Quadica Developments Inc.

PROJECT  
**SABER Z4**  
 LUXEON Z 20mm Square Quad LED Module

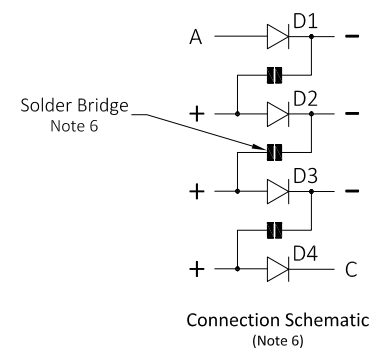
Luxeon Star LEDs

DWG: SZ-04b.dwg	PART: SZ-04-XX	REV: B
PROJECT ID:		SHEET 1 OF 1

Hole/Pad Location Chart				
Hole ID	X Loc	Y Loc	Dia/Size	Loc Tol
A1	10.00	16.50	2.1±0.05	±0.075
A2	3.20	10.00	2.1±0.05	±0.075
A3	5.70	10.00	2.1±0.05	±0.075
A4	14.3	10.00	2.1±0.05	±0.075
A5	12.6	10.00	2.1±0.05	±0.075
A6	10.00	3.50	2.1±0.05	±0.075
P1	2.3	18.4	1.4 x 1.4	
P2	4.5	18.4	1.4 x 1.4	
P3	7.9	18.4	1.4 x 1.4	
P4	13.3	18.4	1.4 x 1.4	
P5	15.5	18.4	1.4 x 1.4	
P6	2.3	1.6	1.4 x 1.4	
P7	4.5	1.6	1.4 x 1.4	
P8	7.9	1.6	1.4 x 1.4	
P9	13.3	1.6	1.4 x 1.4	
P10	15.5	1.6	1.4 x 1.4	
P11	17.7	1.6	1.4 x 1.4	



Detail A Scale 1:5



SCALE	As noted	NAME		DATE	
UNITS	MM	DRAWN	RW	May 14/15	
TOLERANCE	As noted	CHECKED	WW	May 14/15	
SOLDER PASTE	AIM NC-258	RELEASED		May 15/15	
REFLOW PROFILE	Standard	LAST REVISED	RW	Jan 16/18	
QTY PER PANEL	12				
DEPANELIZED	Yes				
Above values unless otherwise noted					

