

1 2 3 4 5 6

A

B

C

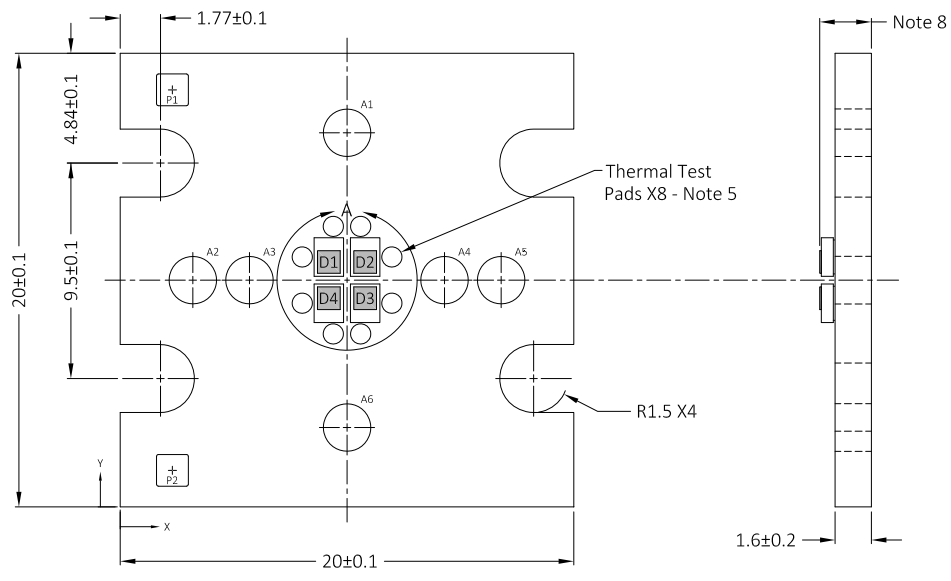
D

A

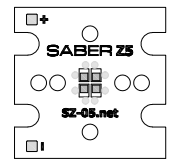
B

C

D



Scale 1:3



PCB Markings Actual Size

Notes

1. Base is aluminum MCPCB with white soldermask and black markings.
2. Bottom of the MCPCB base is uncoated and electrically neutral.
3. Solder pads are ENIG plated.
4. LED module must be mounted to a suitable heat sink with a thermally conductive interface material such as our pre-cut thermal adhesive tape. (Part LXT-Z-20)
5. The thermal test pads are electrically connected to the LED anodes/cathodes. See the datasheet for instructions for determining LED junction temperature.
6. Solder pads are located from the X/Y baseline to the center of the solder pad.
7. The maximum overall height will depend on the mounted LED:
 - Blue, Green Royal Blue & Cyan = 2.65mm
 - Red, Red-Orange, Amber & Deep Red = 2.95mm
 - Lime and PC Amber = 2.69mm
 - UV = 2.72mm

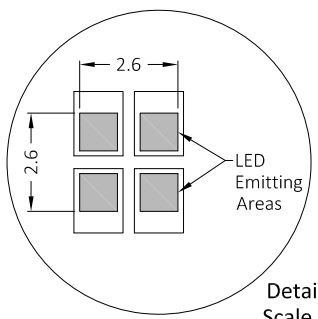
QTY	DESCRIPTION
1	SZ-05 MCPCB
4	LUXEON Z LED

Quadica Developments Inc.

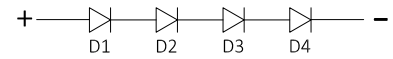
PROJECT	SABER Z5 Series Connected LUXEON Z 20mm Square Quad LED Module	
---------	---	--

Luxeon Star LEDs

DWG: SZ-05a.dwg	PART: SZ-05-XX	REV: A
PROJECT ID:		SHEET 1 OF 1



Detail A Scale 1:5



Connection Schematic

Hole/Pad Location Chart				
Hole ID	X Loc	Y Loc	Dia/Size	Loc Tol
A1	10.00	16.50	2.1±0.05	±0.075
A2	3.20	10.00	2.1±0.05	±0.075
A3	5.70	10.00	2.1±0.05	±0.075
A4	14.3	10.00	2.1±0.05	±0.075
A5	12.6	10.00	2.1±0.05	±0.075
A6	10.00	3.50	2.1±0.05	±0.075
P1	2.3	18.4	1.4	
P2	2.3	1.6	1.4	

SCALE	As noted	NAME	DATE
UNITS	MM	DRAWN	RW May 14/15
TOLERANCE	As noted	CHECKED	WW May 14/15
SOLDER PASTE	AIM NC-258	RELEASED	May 15/15
REFLOW PROFILE	Standard		
QTY PER PANEL	12		
DEPANELIZED	Yes		
Above values unless otherwise noted			



1 2 3 4 5 6 LTR