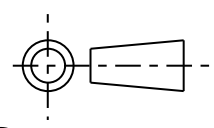


ISS.	DATE	E.C.N.	DESCRIPTION
1	2-Apr-08		CHANGE TO DOME PIPS

© 2008 CARCLO  
ALL DIMENSIONS IN mm



**CUSTOMER DRAWING**



CARCLO TECHNICAL PLASTICS (SLOUGH) LTD.  
111 BUCKINGHAM AVE, SLOUGH  
SL1 4PF, ENGLAND  
TEL: +44 1753 575011 FAX: +44 1753 811359  
e-mail: design@ctpcoil.co.uk}

GENERAL TOLERANCES (UNLESS STATED)

LINEAR	ANGULAR
X +/- 0.25	X +/- 1°
X.X +/- 0.1	X.X +/- 0.5°
X.XX +/- 0.05	X.XX +/- 0.1°

CUSTOMER

CARCLO

TITLE

ELLIPTICAL BEAM  
10MM SQUARE LED OPTIC

DRAWN AJD DATE 2-Apr-08

CHK'D DATE

APP'D DATE

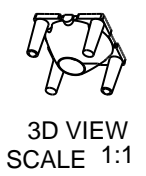
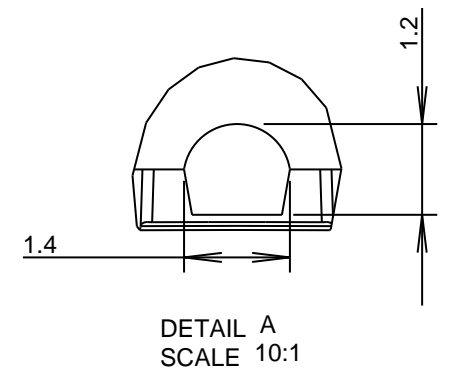
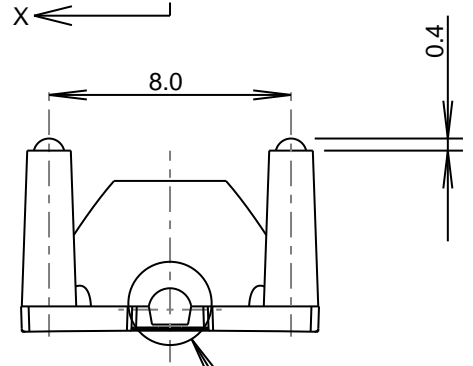
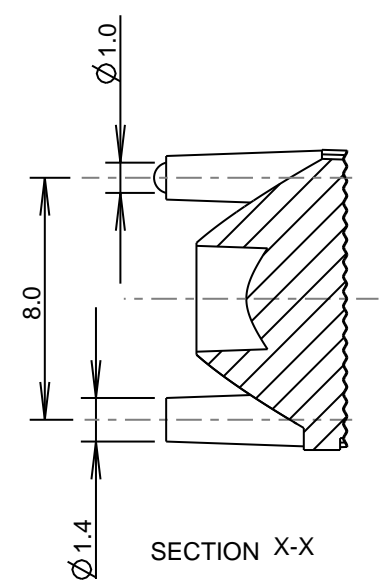
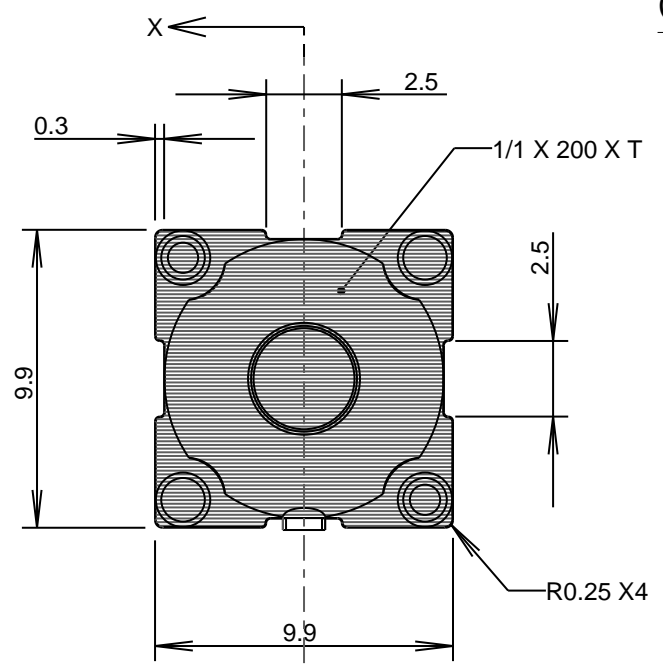
SCALE  
4:1

COIL PART No.  
10415

SIZE  
A4

COIL DRG. No.  
60518

SHEET  
1 OF 2



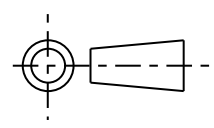
3D VIEW  
SCALE 1:1

SEE DETAIL A

- NOTES:  
1. MATERIAL - UV STABILISED POLYCARBONATE  
2. INCLUSIONS SPECIFIED TO BS4301

ISS.	DATE	E.C.N.	DESCRIPTION
1	2-Apr-08		FIRST ISSUE

© 2008 CARCLO  
ALL DIMENSIONS IN mm



CARCLO TECHNICAL PLASTICS (SLOUGH)  
111 BUCKINGHAM AVE, SLOUGH  
SL1 4PF, ENGLAND  
TEL: +44 1753 575011 FAX: +44 1753 811359  
e-mail: design@carclo-optics.com}

PCB GLUE PAD AND ALIGNMENT HOLE  
LAYOUT DIMENSIONS

GENERAL TOLERANCES (UNLESS STATED)

LINEAR	ANGULAR
X +/- 0.25	X +/- 1°
X.X +/- 0.1	X.X +/- 0.5°
X.XX +/- 0.05	X.XX +/- 0.1°

CUSTOMER  
CARCLO

TITLE  
ELLIPTICAL BEAM  
LED COLLIMATOR 10MM

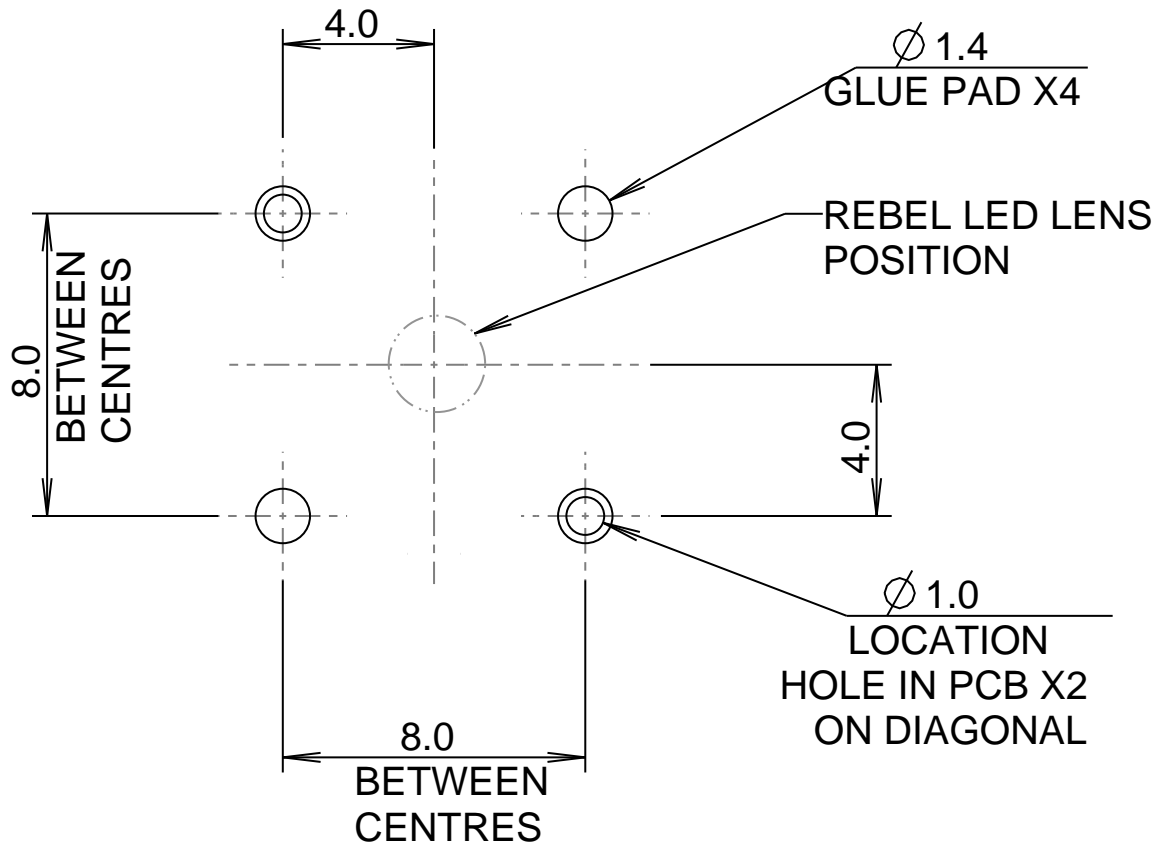
DRAWN  
AJD  
DATE  
2-Apr-08

CHK'D  
DATE

APP'D  
DATE

SCALE  
5:1  
CARCLO PART No.  
10415

SIZE  
A4  
CARCLO DRG. No.  
60518  
SHEET  
2 OF 2



1  
2  
3  
4  
5

1  
2  
3  
4  
5

A B C D E F G